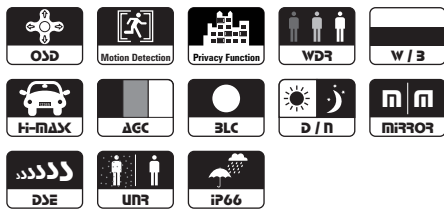


**AFTER DARK VISION VARI-FOCAL OUTDOOR SURVEILLANCE CAMERA
ADV-9369V**
Easy to install*
*For details refer to installation manual



- Built with ADVERT Ray Gold Board
- SONY 1/3" Super HAD CCD II™
- 650 TVL Resolution with 12-bit process DSP
- 3.0~12 mm (F1.2) / 9.0~22 mm (F1.4) Vari-focal Auto-Iris Japanese Lens Optional
- Super Sensitive Low Lux Image Capture, Low up to 0.0001 Lux (Sens-up, 512X)
- Ultra Clear Image Performance
- Noise Free Image at Low Light
- No Focus Shift at Day or Night with Mechanical ICR
- No Color Smear at Day Light with Advert Customized OLPF
- True Color at Day and B/W Picture at Night with (Smart IR) TGSE (True Gray Scale Enhancement) Advert Proprietary Hardware and Software Technology
- Advert Customized Accu-Sense Photo IC Sensor and Proprietary Circuit with MICON for Perfect Day/Night Switching
- High Performance 60 IR LEDs for (0 Lux) up to 160 Ft. Night Vision
- ADPSDN Advert Proprietary Software Day/Night Technology Color by Day and 0 LUX B/W (Color Kill) at Night
- Professional Setup with Built-in OSD Menu
- Selectable WDR, BLC and ECLPS 16 Windows
- Four Types of White Balance (ATW, COL-ROLL, PUSH and MANUAL)
- Selectable Day(Color) / Night(B/W)
- Selectable Video Motion Detection (Max.8 Areas)
- Ultra Noise Rejection (For Saving HDD Space During Motion Recording)
- Digital Slow Exposure 29 Types, A.FLK and Auto
- Selectable Privacy Mask Zones (Max.8 Areas)
- Selectable Image Setup (D-ZOOM with PAN and TILT Scan, V-FLIP, MIRROR, ROTATE Scan and FREEZE)
- Digital Image Stabilizer Function For Vibration Area Installations Like Airport
- Camera Name Setting (15 Characters) and Camera Number ID
- Five Types of Languages Setting (English, Korean, Russian, French and Spanish)
- At Indoor High Light Conditions like Jewelry Shops, Shopping Malls, Designer's Shops, etc., Easy to Adjust with OSD Setup
- At Different Light Conditions like Fluorescent Light, Mercury Light, Metal Halide Light or Natural Light, Easy to Achieve True Color Through Adjusting White Balance with OSD. No Need Expensive Camera
- IR-Remote Controller for OSD Setup (Optional)
- RS-485 Selectable Communication (Optional)
- Motion Detection NO/NC Output(Optional)
- Dual 12V DC/24V AC Input (Optional)
- UTP (CAT-5) Active Video Output (Optional)
- Power Supply: DC 12V ± 1V
- Lowest Power Consumption (150mA at Day Time, 450mA at Night Time with IR LED On)
- Lowest Heat on Board for Long Life of Camera
- 3 Axis Wall Mount and IP66 Housing with Cable Management

ADV-9369V-ONST-VBAT-3012
ADV-9369V-OPST-VBAT-3012
ADV-9369V-ONST-VBAT-9022
ADV-9369V-OPST-VBAT-9022



WIDE DYNAMIC RANGE IMAGE



CONVENTIONAL CCD CAMERA WITH BLC ON



CONVENTIONAL CCD CAMERA WITH BLC OFF



(SMART IR) TGSE ON LEVEL 18



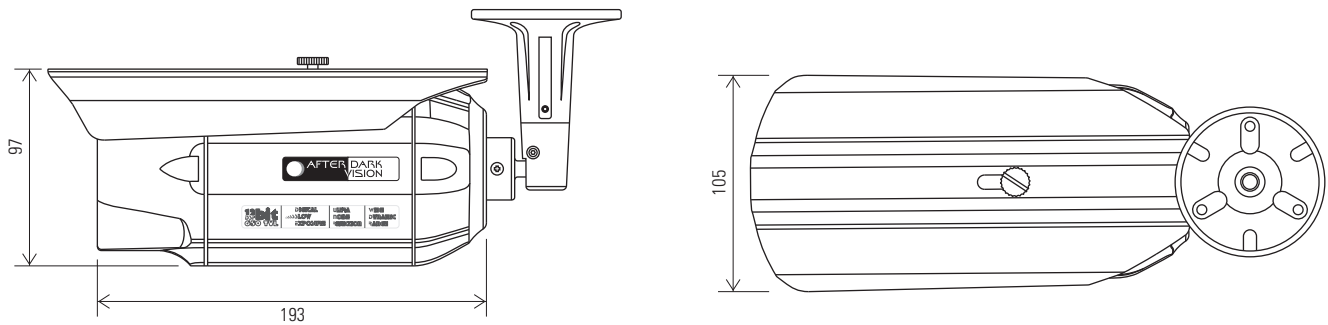
(SMART IR) TGSE ON LEVEL 50



(SMART IR) TGSE OFF



DIMENSIONS



The above mentioned technical drawings are for reference only. All dimensions are in millimeters.

UNIQUE FEATURES

- Built with ADVERT **Ray Gold Board**
- SONY 1/3" **SuperHAD CCD II™**
- 650 TVL Resolution with 12-bit process DSP
- 3.0~12 mm (F1.2) / 9.0~22 mm (F1.4) Vari-focal Auto-Iris Japanese Lens Optional
- Super Sensitive Low Lux Image Capture, Low up to 0.0001 Lux (Sens-up, 512X)
- Ultra Clear Image Performance
- Noise Free Image at Low Light
- No Focus Shift at Day or Night with Mechanical ICR
- No Color Smear at Day Light with Advert Customized OLPF
- True Color at Day and B/W Picture at Night with (Smart IR) TGSE (True Gray Scale Enhancement) Advert Proprietary Hardware and Software Technology
- Advert Customized Accu-Sense Photo IC Sensor and Proprietary Circuit with MICON for Perfect Day/Night Switching
- High Performance 60 IR LEDs for (0 Lux) up to 160 Ft. Night Vision
- ADPSDN Advert Proprietary Software Day/Night Technology Color by Day and 0 LUX B/W (Color Kill) at Night
- Professional Setup with Built-in OSD Menu
- Selectable WDR, BLC and ECLPS 16 Windows
- Four Types of White Balance (ATW, COL-ROLL, PUSH and MANUAL)
- Selectable Day(Color) / Night(B/W)
- Selectable Video Motion Detection (Max.8 Areas)
- Ultra Noise Rejection (For Saving HDD Space During Motion Recording)
- Digital Slow Exposure 29 Types, A.FLK and Auto
- Selectable Privacy Mask Zones (Max.8 Areas)
- Selectable Image Setup (D-ZOOM with PAN and TILT Scan, V-FLIP, MIRROR, ROTATE Scan and FREEZE)
- Digital Image Stabilizer Function For Vibration Area Installations Like Airport
- Camera Name Setting (15 Characters) and Camera Number ID
- Five Types of Languages Setting (English, Korean, Russian, French and Spanish)
- At Indoor High Light Conditions like Jewelry Shops, Shopping Malls, Designer's Shops, etc., Easy to Adjust with OSD Setup
- At Different Light Conditions like Fluorescent Light, Mercury Light, Metal Halide Light or Natural Light, Easy to Achieve True Color Through Adjusting White Balance with OSD. No Need Expensive Camera
- IR-Remote Controller for OSD Setup (Optional)
- RS-485 Selectable Communication (Optional)
- Motion Detection NO/NC Output(Optional)
- Dual 12V DC/24V AC Input (Optional)
- UTP (CAT-5) Active Video Output (Optional)
- Power Supply: DC 12V ± 1V
- Lowest Power Consumption (150mA at Day Time, 450mA at Night Time with IR LED On)
- Lowest Heat on Board for Long Life of Camera
- 3 Axis Wall Mount and IP66 Housing with Cable Management

TECHNICAL SPECIFICATIONS

Model	ADV-9369V-ONSS-VBAT-3012 ADV-9369V-ONSS-VBAT-9022	ADV-9369V-OPSS-VBAT-3012 ADV-9369V-OPSS-VBAT-9022
Image Sensor	SONY 1/3" SuperHAD CCD II™	
Lens Type	3.0~12 mm (F1.2) / 9.0~22 mm (F1.4) Vari-focal Auto-Iris Japanese Lens	
Scanning System	2:1 Interlace	
Scanning Frequency (H)	15734 Hz	15625 Hz
Scanning Frequency (V)	59.94 Hz	50.00 Hz
Sync. System	Internal	
Signal System	525 Lines	625 Lines
Total Effective Pixels	440K	470K
S/N Ratio	More than 52 dB (AGC OFF)	
Resolution	650 TVL (Color) / 700 TVL (B/W)	
Video Output Level	1.0 Vp-p (75 Ohms, Composite)	
Min. Illumination	0.0001 Lux (Sens-Up, 512X) / 0 Lux @ Night with IR LED On	
Shutter Fixed	1/160 ~ 1/90,000 Sec. / A.FLK / AUTO	
WDR / BLC / ECLPS	OFF / WDR / BLC / ECLPS	
AGC	OFF / LOW / MIDDLE / HIGH	
White Balance	ATW / COL-ROLL / PUSH / MANUAL	
Day / Night	(SMART IR) TGSE	
3D-DNR	ON / OFF (Level Adjustable)	
MOTION DET	ON / OFF (8 Programmable Zones)	
Privacy Mask	ON / OFF (8 Programmable Zones)	
Image Setup	OFF / V-FLIP / MIRROR / ROTATE / FREEZE	
Language	English, Korean, Russian, French and Spanish	
Lens Iris	DC Lens Iris	
Reset	Factory Reset	
Pro. Functions Access	Five-way Switch OSD Control	
Infra Red LED	Peak Wavelength	850 nm
60 PCS.	Beam Spread	30 °
	Radiant Distance	160 Feet
Power Supply	DC 12V ± 1V	
Current Consumption	150 mA / 12 V DC at Day Time, 450 mA / 12 V DC at Night Time with IR LED On	
I/O Connector	Video Output: Molded BNC Connector and 12 V DC Input: DC Socket	
IP Rating	IP 66	
Operating Temp	-10 °C ~ +50 °C (14 °F ~ 122 °F)	
Dimensions	193.0 mm (L) X 105.0 mm (W) X 97.0 mm (H)	
Weight	Approx. 1150 g	

* "Super HAD CCD II" is a trademark of Sony Corporation.

To stand out from our fellow Traveler's Products, we use **Ray Gold Board**. Please e-mail at : support@adverttech.com for technical details and comparison chart of **Ray Gold Board**. Please e-mail at : support@adverttech.com for Type of function & lens selection chart for selecting right function & optional lens for your customer site requirement. (Advert Technologies may, at any time and without notice, make changes or improvements to the products and services offered and/or cease producing or commercializing them.) The Advert logo and **Ray Gold Board** trademark are property of Advert Technologies.

Authorised Dealer / Representative.